



Primary™
Round-front toilet seat
K-4686-A

Features

- Open-front seat without lid.
- Plastic hinges.
- Antimicrobial agent inhibits growth of odor-causing bacteria, mold, and mildew. This product does not protect users against bacteria, viruses, or other disease organisms. Always clean and wash this product thoroughly before and after each use.

Material

- Plastic construction.



Codes/Standards

None Applicable




**KOHLER® One-Year Limited
Warranty**

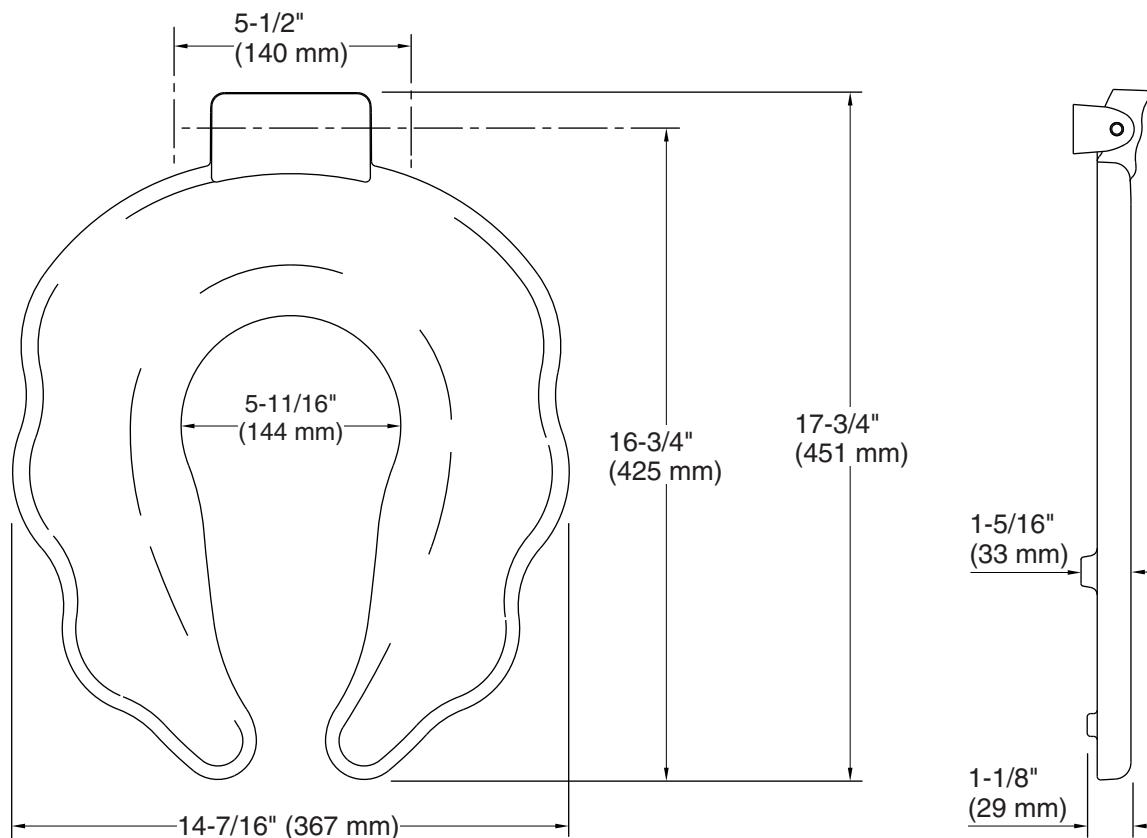
See website for detailed warranty information.

Available Colors/Finishes

Color tiles intended for reference only.

Color Code Description

	0	White
	Y	Yellow
	B	Blue



Technical Information

All product dimensions are nominal.

Seat shape type: Round-front
Seat front type: Open-front
Seat-mounting holes: 5-1/2" (140 mm)

Notes

Install this product according to the installation guide.